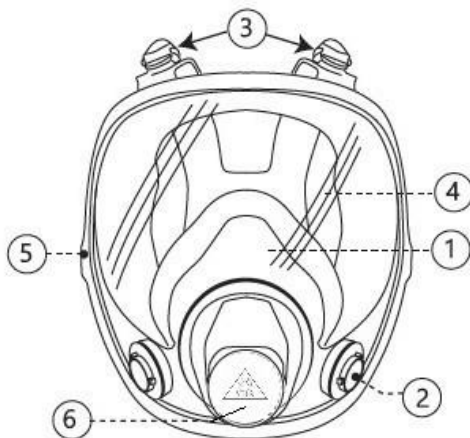


Australian Standard
AS/NZS 1716:2012
Lic. No. 40344
SAI Global

1. M and L nose cup assembly with inhalation valves.
2. Filters holder and inhalation valves seat.
3. Head harness assembly.
4. Lens assembly.
5. Frame assembly with screws.
6. Center adapter assembly with exhalation valve



YHS FFMASK – Silicone Full Face Mask

The silicone respirator YHS FFMASK is a twin filter full face mask respirator which has bayonet filter connections and a high quality transparent polycarbonate visor which maximizes the light inside the respirator and gives optimum vision, providing protection against knocks, scratches and fogging. The YHS FFMASK offers great comfort thanks to its 4 point harness and a great facial seal since it is made of silicone.

The YHS FFMASK is available in M & L sizes.

For the correct use of the respirator, read these instructions carefully before using it and keep this document for further consultation.

I. WARNING

1. Do not use where there may be a deficiency of oxygen. Do not use in explosive atmospheres.
2. The proper type of filter must be chosen according to concentration and type of contaminant in each case. Do not use in environments where the concentration value of the contaminant is immediately dangerous to life or health (IDLH). Do not use where contaminant concentrations exceed the maximum limits or protection factor provided by the mask filter combination.
3. Two filters must be placed on each respirator.
4. Must not be used for protection against carbon monoxide or in flammable environments as the combustion of the activated carbon in the filters may generate toxic gases.
5. The respirator must not be modified nor altered in any way.
6. This respirator with filters cannot be used in containers, wells, sewers or closed spaces of any kind with no ventilation.
7. Do not use with beards or any other facial features which might prevent the face fit.
8. Leave the work area in case of respirator being damaged, breathing difficulty and/or dizziness or nausea.

II. BEFORE USE

1. Make sure the respirator has all its parts: harness & straps, inhalation & exhalation valves.
2. Make sure respirator is in perfect condition, with no signs of dust, breakage, cracks, bumps in any of its components. Should this be the case, the respirator must be disposed of.
3. Make sure that the chosen filters are the proper kind for the intended use.
4. Make sure two units of the same type of filter are available for each respirator.

III. ASSEMBLY INSTRUCTIONS

1. Match the plastic filter connector with the filter holder on the respirator. Press and turn the filter all the way clockwise (Fig.1) Repeat procedure for the second filter.

IV. INSTRUCTIONS FOR DONNING AND FITTING

1. Loosen up the four straps of the head harness.
2. Place the respirator on your face, chin first and then on the rest of your face moving away your hair for the seal to have contact only with the skin.
3. Once the respirator is on your face, pull harness over the top of your head as shown on figure 2.
4. Adjust the straps in the following order: neck, temples and forehead (figure 3). Do not over tighten straps. Try to find a comfortable and safe fit. The straps tension can be decreased by pulling out tabs from behind the clasps.

V. FACE FIT CHECK

Negative pressure face fit check

1. When using with filters #A1P2SS or #ABEK1P2SS, place hands to cover face of cartridge and inhale. (Fig 4). In case of no leakage, you will feel that the respirator is fitted to the face.
2. When using with filters #P3CSS, place the thumbs onto the centre position of the filters and inhale. (Fig 5). In case of no leakage, you will feel that the respirator is fitted to the face.
3. If you detect leakage in any of the tests, the respirator has not been fitted to the face properly. If that be the case, reposition respirator on face again, adjusting the elastic straps again and repeat the pressure checks.
4. If you cannot achieve a proper face fit, do not enter contaminated area.
5. Consult with an Occupational Safety Expert.
6. To remove respirator, loosen up elastic straps, unbuckle bottom straps and remove harness from the head.

VI. STORAGE

- Respirator and filters must be stored in air tight bag or case at room temperature in a dry place away from contaminants.
- Do not expose respirator to heat over 50°C and do not expose to direct sunlight.

VII. CLEANING AND DISINFECTION

- Respirator should be cleaned after each use.
- Remove filters before cleaning respirator.
- Clean respirator with a wet cloth and immerse it in warm water solution which must not exceed 50°C using a neutral detergent if necessary.
- Rinse with warm water and air dry in a contaminant free environment.

DO NOT CLEAN WITH SOLVENTS, STRONG DETERGENTS OR PETROLIUM BASED PRODUCTS.

VIII. MAINTENANCE

In order to keep respirator in the best condition, do the following after each use:

- Clean and store completely dry in the storage case.
- Check inhalation & exhalation valves & keep them completely clean without any distortions.
- Make sure the elasticity of the straps does not decrease.
- Make sure respirator is in perfect condition with no signs of dirt, tearing, cracks or dents of any kind in any of its components.
- If any components show distortions the respirator must be replaced and/or disposed of.

IX. EXPIRATION AND DISPOSAL

- Respirators YHS FFMASK are manufactured with high quality materials. However, respirator parts such as valves, harness, straps or any part that needs to be changed, must be replaced the moment they show any alteration or distortion.
- Masks and unopened filters must be discarded within 5 years of manufacture. Filter usage duration depends on the concentration and type of contaminant, humidity, breathing rate and other factors. Gas filters must be discarded within 6 months of opening or when odour, taste or irritation occurs, whichever is sooner. Particle filters must be changed when they become clogged and breathing resistance increases. Respiratory protection program should ensure all filters are replaced before the end of their service life. Once used, mask and filters must be disposed of according to current National legislation.

X. USE LIMITATIONS

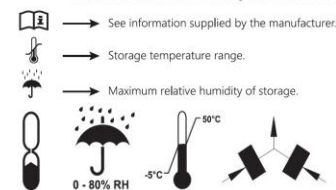
- The use of this respirator must be in compliance with current legislation, norms about respiratory protection and norms from various official bodies.
- Failure to follow all instructions and limitations on the use of this respirator and/or failure to wear this respirator during all times of exposure can reduce respirator effectiveness and result in sickness or death. As the use of this product and the information is beyond the control of YHS, it is the users obligation to ensure the correct respirator is selected and used safely. To the extent permitted by law and liability arising from use of or failure of this product is limited to product replacement cost and does not extend to any loss or damage which may be caused as a result of such use or failure.

Filter pairs used with YHS half face masks and full face masks

FILTER	HAZARD TYPE	EXAMPLES	MAXIMUM CONCENTRATION / PROTECTION FACTOR 7700 Half Face Mask	MAXIMUM CONCENTRATION / PROTECTION FACTOR 680 Full Face Mask	COLOR CODE
A1P2SS	Organic Vapour + Particulate Pre Filter	Organic Vapours with boiling point >65C + harmful dust, mists and fumes	1000 ppm or 10 x ES whichever is lower	1000 ppm or 50 x ES whichever is lower	Brown
ABEK1P2SS	Multi gas + Particulate Pre Filter	Organic, Inorganic, acid gases and ammonia + dust, mists and fumes	1000 ppm or 10 x ES whichever is lower	1000 ppm or 50 x ES whichever is lower	Brown / Grey / Yellow / Green
P3CSS	Particles	Mechanically and thermally generated particles	10 x ES	100 x ES	White

Notes: ES = Exposure Standard.

YHS P3CSS filter is rated P3 only when fitted to a full facepiece



See information supplied by the manufacturer.
Storage temperature range.
Maximum relative humidity of storage.
0 - 80% RH



Made in China for YHS Pty. Ltd. www.yhs.net.au